

## APOLLO® WOOD INSTALLATION INSTRUCTIONS



### Apollo® Wood Worksurfaces

Installing Apollo® Wood is easy. If, for example, you have previously fitted a similar product then these simple to follow instructions will enable you to successfully install Apollo® Wood.

Please read these instructions thoroughly before commencing installation. Ensure that you read, understand and follow Health & Safety Guidelines carefully.

Comprehensive video clips demonstrating installation are available at [www.sheridan-uk.com](http://www.sheridan-uk.com)

If you encounter any difficulty during installation please contact your local distributor or supplier for assistance.

Or email: [sales@sheridan-uk.com](mailto:sales@sheridan-uk.com)

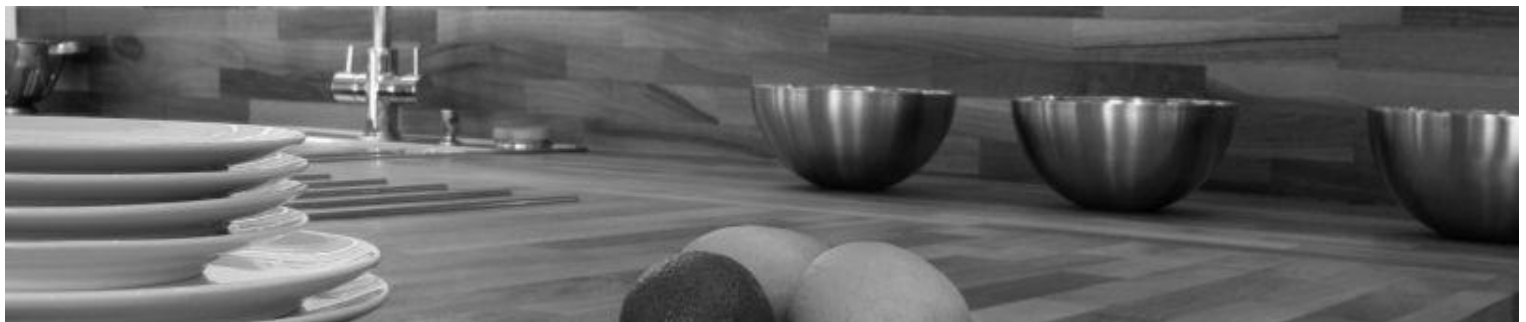


## About APOLLO® WOOD

- Wood is the original kitchen worktop material
- Manufactured in 27mm & 40mm\* thickness using the highest quality material
- A blend of warmth, character, and tenderness that no other material can match
- Easy to install for any recognised kitchen installer or even DIY specialist!
- Excellent impact resistance
- Scratches and marks can be polished out
- Easy to clean and maintain
- Backed by a 10 year manufacturers limited warranty – see web site: [www.sheridan-uk.com](http://www.sheridan-uk.com) for further details



\* Selected species available in 60mm or 27mm thicknesses.



# Handling, Health & Safety and Storage

## HANDLING DO's & DON'Ts

- DO** ALWAYS CARRY ON EDGE. ALL WORKTOPS SHOULD BE LIFTED & HANDLED BY AT LEAST 2 PEOPLE.
- DO** take note and assess the weight of the material before lifting.
- DO** use two people to carry out an installation.
- DO** inspect the route you will carry worktops along and ensure the route you are taking is free from obstacles.
- DO** ensure that the surface where the worktop is to be placed is flat and free of any dirt or debris.
- DO** wear heavy-duty gloves and, if appropriate, use lifting straps.
- DO NOT CARRY THE MATERIAL FLAT, IT IS FRAGILE AND MAY BREAK!**

## SITE DO's & DON'Ts

- DO** ensure that worktops are clean and free of dust, dirt etc.
- DO** keep work area clean and tidy.
- DO** work outside on worktops wherever possible, to limit amount of dust inside building.
- DO** seal doorways of adjoining rooms when working indoors.
- DO** screen off the cutting area with plastic sheeting.
- DO NOT** breathe dust. Wear a dust respirator.

## STORAGE DO's & DON'Ts

- DO** always store worktops flat and level no more than 3 or 4 deep.
- DO** store in a dry room at 20°C away from damp walls or floors and away from heat sources such radiators etc.
- DO NOT** store on edge or vertically (on short edge) as worktops may bow.

## HEALTH & SAFETY DO's & DON'Ts

- DO** ensure adequate ventilation to enable dust and fumes to escape when working indoors.
- DO** wear a dust mask when polishing or cutting.
- DO** wear ear defenders when working with tools and machinery.
- DO** use the correct tool for the job.
- DO** check tool is in good condition before use.
- DO** secure work. Use clamps to hold down work piece when practical.
- DO** wear safety spectacles when cutting or grinding.
- DO** use recommended accessories.
- DO** keep children and visitors away from the work area.
- DO** use tools as described in the Tools Required section.
- DO NOT** force tools.

# Tools Required

## MACHINE TOOLS

Circular Saw  
Router  
Cordless Drill  
Electric Plane  
Jig Saw  
Random Orbital Sander

## HAND TOOLS

Hand Saw  
G Cramps  
Hammer  
12mm & 25mm Wood Chisel  
Pozidrive Screwdriver  
Tri Square

## SUNDRIES

Installation Kit (purchased with worktops)  
Worktop Join Jig  
25mm & 35mm Hole Saw  
Masking Tape

## SAFETY EQUIPMENT

Ear defenders  
Safety glasses  
Dust masks  
Protective gloves

## CONSUMABLES

PVA Wood Adhesive<sup>+</sup>  
Silicone Sealant<sup>+</sup>  
Rotobond 2000 MS Polymer Sealant<sup>+</sup>

<sup>+</sup>Not supplied

## REQUIRES INSTALLATION KIT

# Before You Start

- Read this Installation Guide carefully in conjunction with the video clips available at [www.sheridan-uk.com](http://www.sheridan-uk.com)
- Always check the worktops on delivery and make sure you are completely happy with its finish and quality.
- Inspect all edges for imperfections and observe for excessive chipping or other obvious defects.
- Make sure you have the correct tools to hand for the job before starting.
- Please remember worktops are very heavy and lifting them should not be attempted alone, worktops should always be handled by at least two people.
- Ensure that all of the base units have been secured in final position and that all end panels are fixed.

- Units must be level and all walls battened out.
- Any alteration work is best done outside, as cutting and polishing creates dust. One of the main onsite considerations is to reduce the amount of dust.
- Use polythene sheeting and dust covers to protect all areas where appropriate.
- Clearance should always be allowed (approx. 3mm between all worktop edges and walls (see cutting your worktop to length).
- Always ensure a sturdy work bench is available before commencing cutting.
- Always ensure correct colour glue is used.

# Product Specification

Careful planning is the key to successful installation. Where possible begin planning with a pre-site survey. Refer to Technical Information section (page 8).

## Product Information

Note that, being a natural material, this product is subject to variation in colour, texture, graining, pattern and knots.

## Apollo® Wood Worktops

- Available in a variety of styles and sizes:
  - Always use worktops appropriate for the installation
  - Use Ultra Worksurface Sealant to seal worktops following installation



STANDARD 40MM THICKNESS HARDWOOD  
(40mm Staves)

## Installation & Maintenance Kit

- One kit required for each installation includes:
  - Installation Care and Maintenance Guide
  - Fixing brackets, screws, washers and jointing biscuits
  - Sanding discs, abrasive pads and alcohol wipe
  - Self adhesive aluminium foil & heat reflective tape
  - Ultra Worksurface Sealant
  - Care and Maintenance products, gloves and cleaning cloths

# Designing Your Worktop Layout

It is important to consider the most appropriate order for installing the worktops; always ensure that planning of the layout starts at the sink (Fig. 1).

- When planning worktop layout:
  - Ensure joints do not fall on or within 100mm of cutouts
  - Ensure cutouts are at least 50mm from worktop edge
  - Joints in worktops should fall on a carcass end not in the middle, this gives added support to a joint
  - Each worktop requires an expansion clearance (to the wall) of 1mm for every linear metre of worksurface (i.e. 3mm for a 3 metre length)
- Issues to avoid:
  - Joints above appliances are not acceptable
  - Worktop overhang must not exceed 300mm
  - Corner joints should never be mitred, always butt joint corners
  - Fitting over two adjacent appliances; where unavoidable separate by fitting an end panel

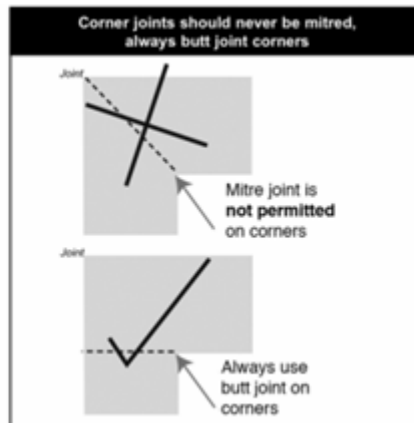
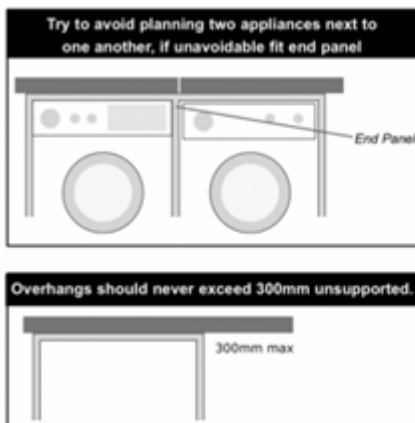
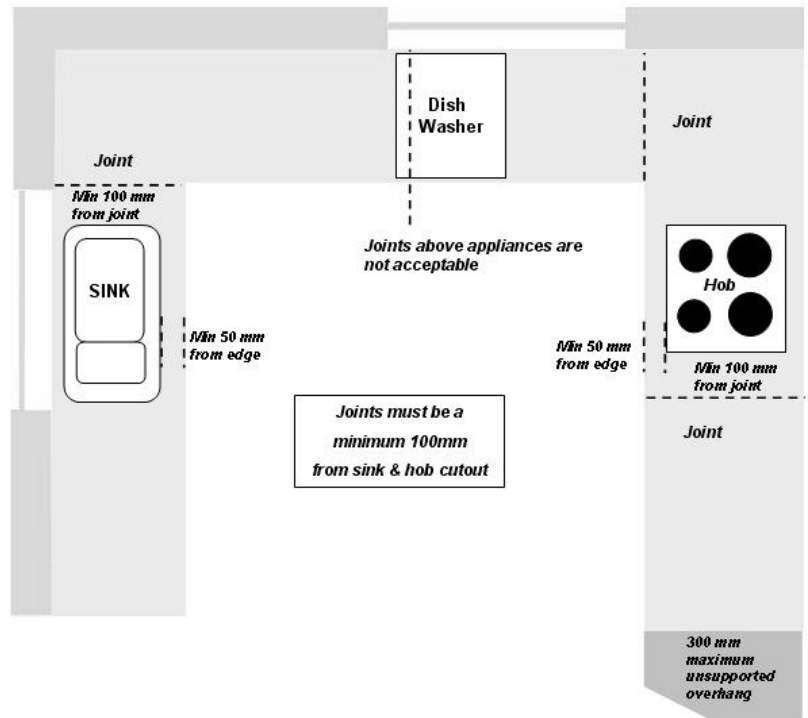


Fig. 1 Apollo® Wood layout considerations



## Cutting to Size

- Mask off the section of worktop to be cut and mark the outline on the masking tape. Clamp straight edge to both sides of the worktop.
- Cut worktop to size, squaring ends, using a router fitted with a double fluted tungsten carbide straight cutter.
- Measure the base plate of the router to the centre of the router bit and adjust to suit the cut accordingly.
- Working from left to right firmly press the base plate of the router against the straight edge and proceed to machine the material (Fig. 2).
- This method of preparing the edge will give a straight, square and parallel cut. A second pass should be made to reduce chatter marks.

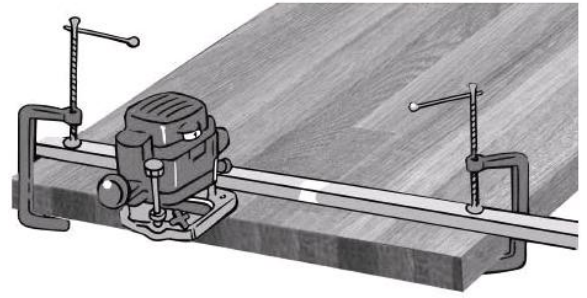


Fig. 2 Cut to size

### Hot Pipes

Where hot pipes are encountered, there should be a minimum 20mm clearance between the cut out and the pipe in order to comply with the product warranty.

## Scribing Worktops (if necessary)

The scribing process reflects the contours of uneven back walls to the worktop, allowing the correct overhang at the front of the base cabinets. It may not be necessary to scribe worktops to the walls if they are sufficiently straight.

1 Place the worktop onto the base cabinets and push up against the back wall in its intended position. Measure the worktop overhang at the front of the base cabinets; this should be 30 - 35mm. If the overhang exceeds 35mm, it may be necessary to trim sufficient material from the back of the worktop to allow it to be pushed back. If scribing is necessary, follow the instructions below.

2 Apply a strip of 50mm masking tape to the worktop surface, flush with back edge of the worktop.

3 Place a small block of wood (with thickness equal to the amount of excess overhang at the front of the base cabinets)

on to the worktop surface and against the wall.

4 Place a pencil against the front edge of the block and slide the block and pencil along the entire length of the worktop, marking a pencil line on the masking tape as you proceed (Fig. 3). Using this method any deviation in the wall is marked onto the worktop.

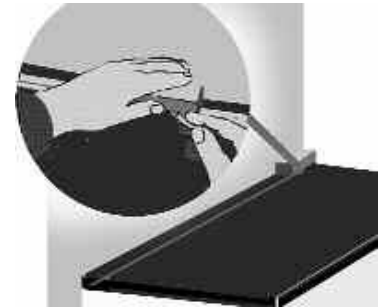


Fig. 3

5 Working to the waste side of the pencil line carefully trim away any excess worktop using a router.

## Cut Outs

- Clamp hob/sink template in correct position onto worktop (fig. 4). Check that corners have correct radius for sink (some sink radii are rather large) before commencing.
- Using a hand router fitted with an appropriate straight flute cutter rout a hole in each of the four corners. The majority of the waste material may then be removed using a jig saw, cutting to the inside of the required cutout, before finally profiling off the inside of the cutout with a hand router to leave a clean edge.

### Please Note:

- Allow 6mm clearance on all sides of the hob and leave a small radius in the corners if possible.

### Hob Cut Out only

- Apply heat reflection tape around the entire cut out (Fig. 5), ensuring that it protrudes beyond the hob flange and is in contact with worksurface and hangs straight down, heat reflection tape is required for all hot cut outs. Apply a second piece of reflective tape on corners to ensure adequate coverage.



Fig. 4 Hob/Sink template clamped in position

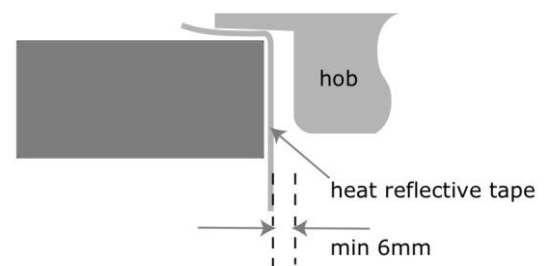


Fig. 5 Application of heat reflective tape

## Undermounted Sinks

Apollo® Worktops recommend the use of Rotobond 2000 adhesive sealant (not supplied). For details and supplies see website: [www.kenteurope.com/uk](http://www.kenteurope.com/uk) or email: [KENTsales.UK@kenteurope.com](mailto:KENTsales.UK@kenteurope.com) Freephone 0800 136925

Ensure the underside of the worktop is thoroughly clean and dust free; degrease using the alcohol wipes provided in the Installation Kit and allow to dry.

Apply a continuous bead of Rotobond 2000 to the flange of the sink and press in to position ensuring a watertight seal. Clamp the sink into position and allow the adhesive sealant to set.

*Note: Where fitted waste disposal units will require additional, independent support.*

## Tap Holes

Tap holes are drilled with a hole saw fitted with an appropriate sized cutter.

# Drainer Grooves & End Caps (where required)



Fig. 6 Drainer grooves

## Drainer Grooves

Drainer grooves may be cut using a hand router, fitted with a 30mm guide bush, and a pre-cut Drainer Groove Jig (available through your local distributor). The jig has a built in gradient which will ensure the drainer grooves have the correct slope when cut.

**Important:** Ensure that drainer grooves are cut in the centre of a timber stave and not along a joint line (Fig. 6).

## End Caps

When a worktop is fitted near to a constant heat source (e.g. an AGA, dropped hob or freestanding cooker) allow a minimum gap of 10mm and, in addition, fit a 20mm end cap. This may be cut from an off cut or upstand and should be glued to the end of the worktop adjacent to the heat source.

**Important:** The stave direction of the end cap should run at 90 degrees to those in the worktop edge (Fig. 7).

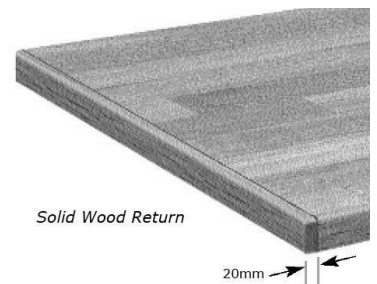


Fig. 7 Fitting end cap

# Preparing the Joint

When joining two worktops together, three standard worktops (butterfly) bolts must be used in each joint (Fig. 8).

Cut bolt cut outs to a depth of 20mm using a worktop Jig and router.

Rout corresponding grooves to each side of the joining edges; these will house laminate biscuits which will ensure the worktop joint remains level once installed.

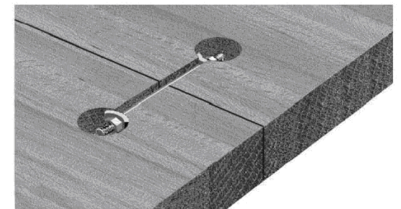


Fig. 8 Butterfly bolt joint

# Bonding Joints

Before bonding the joints, it is important to ensure that the seam is free from any contamination. The face and surface of the seam should be cleaned with an alcohol wipe (included in installation kit) and allowed to dry.

All joints should be butt jointed. Place masking tape along the full length along both sides of the joint (to avoid adhesive spreading on to the worktops). Block the front edge of the worksurface with masking tape to prevent adhesive dripping.

Joint using PVA wood adhesive applied to each side of the joint, the laminate biscuits are glued in to the grooves previously prepared.

The jointing bolts are tightened underneath the worktop bringing the joint tightly together and provide a mechanical fixing (Fig. 9).

Finally the masking tape is removed and the PVA left to cure.



Fig. 9 Completed butt joint (underside)



## Heat Protection

If a dishwasher, boiler, washing machine or cooker is to be installed under the worktop, a piece of foil should be adhered to the underside of the worktop (Fig. 10) with the foil face outward.

This will protect the worktop from any intense heat or moisture.

Use the same procedure when you are fixing onto exposed brickwork, pipe work or fitting over a radiator or other heat sources. A grill will be needed when the radiator is fully concealed within a unit.

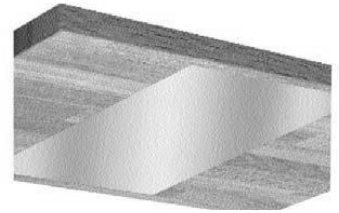


Fig. 10 Protective foil

## Fixing Worktops

Worktops should be fixed in three places across the depth of the worksurface; on the back edge, in the middle using a slotted angle bracket fixed to the carcass side panels, and again at the front (Fig. 11). Further fixings should be used at approximately 300mm centres throughout the length of the worktop.

In order to allow natural movement (expansion) of the top fixing holes should be drilled to a 10mm diameter. Screws with large washers (covering the 10mm hole) should be used in the centre of the holes to secure the worktop (Fig. 12).

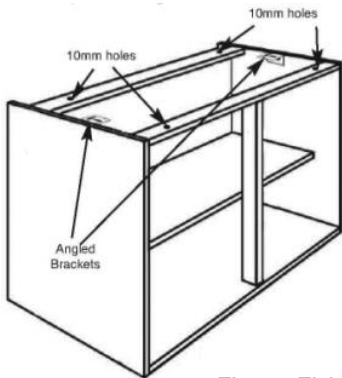


Fig. 11 Fixing points

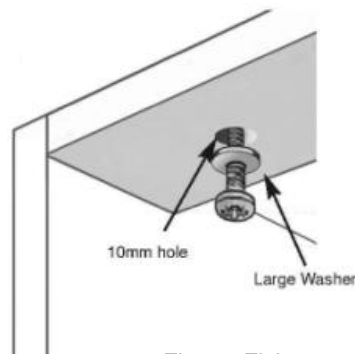


Fig. 12 Fixing screws

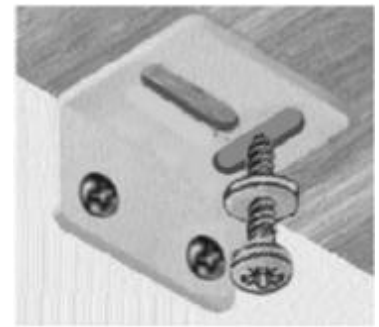


Fig. 14 Fixing brackets

Do not over tighten screws as this will restrict the natural movement of the worktop.

When fixing worktop, through the angle bracket, screws with washers should be used in the centre of the slot allowing expansion to left and right (Fig. 13).

## Edge Detail and Upstands

### Edge Detail

Bevel/Round Edges may be applied to customer taste by router.

### Upstands

Where worktops are to be fitted with an upstand these should always be fitted to the wall and not the worktop. This will ensure the upstand will cover any possible shrinkage of the worktop that may occur.

Cut to length and dry fit. Clean the rear of the upstand. Apply silicone to the rear; press in place and hold to allow silicone to grab. Clean off excess silicone and allow to cure.

## Sanding and Sealing

### Sanding

Worktops should be sanded to remove any marks from the installation process, remove any ridges at joints and ensure that the surface is smooth; always sand with the grain. Start with 100, 150, finish off with 220 grit sandpaper.

### Sealing

To complete the installation the fitted worktops will require sealing prior to use; this will enhance the appearance of the wood bringing out the full beauty of the grain and impart a protective, water resistant surface to the wood while preserving the timber.

Refer to the Care and Maintenance guidelines below for details of the sealing process.

# Care & Maintenance

## Care & Maintenance Kit

**Important:** Please read the information carefully and ensure you keep these instructions for future reference.

## Looking after your Apollo® Wood

Apollo® wood worksurfaces not only look very attractive and exude quality; they are naturally hardwearing and will withstand the rigours of everyday use.

Timber is the original kitchen worksurface. Since those early days technology has moved on apace, in the kitchen, with hi-tec equipment being the order of the day, and yet timber has never been more popular as a work surface than it is today due to its natural good looks and feel.

A major disadvantage of the wood worksurface, in the past, was the amount of time needed to maintain it. In response to this age old problem we create a smooth finish and apply our specially formulated sealant; natural oils and waxes penetrate deep in to the wood keeping it flexible, healthy and preventing it from becoming brittle and dry. Shrinkage and swelling are reduced, the wood is able to breath and moisture can evaporate. The result is a silky finish that not only looks and feels wonderful but is *virtually maintenance free*.

**Only in the immediate weeks following installation is regular maintenance required. During this time you must use the Ultra Worksurface Sealant to prevent the wood from drying out and warping. This is especially important in kitchens that are very humid or cold.**

**Note: Timber work surfaces must not be installed in unoccupied premises.**

Your Installation & Maintenance Kit contains all of the items required to help keep your new worksurface in pristine condition.

**Ultra Worksurface Sealant** is a professional, clear, satin matt finish preserver and sealant based on natural vegetable oils and waxes. Its micro porous finish will not crack, flake, peel or blister. **Remember:** Always wipe off all excess sealant before allowing to dry.

**Ultra Fresh Mousse** is specially formulated to freshen up and clean your work surface to provide a fresh, protective layer on the surface. Its natural oils and waxes will restore the surface finish; apply at 2-3 month intervals or to seal minor repairs.

**Important:** Please read and follow instructions carefully before using either of the above products. Always wear rubber gloves when using chemicals to prevent any cracking, drying or other reaction to your skin.

## Sealing Wood

Ultra Worksurface Sealant is ready to use straight from the tin. Please do not thin but stir thoroughly.

- Apply first coat thinly with a lint free cloth to face and all edges (including sink/hob cutouts) and allow to penetrate the timber. **Wipe off all excess sealant** and leave to dry overnight (at least 8-10 hours) ensuring good ventilation.

- Apply a second coat as previously.

- Apply a further coat where the surface has readily soaked up the first two coats.

- **Further coat(s) of sealant should be applied in the first few weeks following installation to prevent drying out as the work surface acclimatises to its new environment.**

- If at any time in the future your work surface begins to dry out or look tired reapply a coat of Ultra Worksurface Sealant.

## Every day cleaning

- All spills should be cleaned up immediately.
- For daily cleaning we recommend a solution of warm water with a drop of washing-up liquid.
- Soak a cloth in the solution, wring out until almost dry and wipe the down the worksurface.
- Dry with a soft cloth.

## Persistent stains and Repairs

Although wood worksurfaces are virtually maintenance free accidents can happen; follow the correct procedure when repairing a damaged area.

- To remove more persistent stains from the worksurface first try a slightly stronger solution and/or allow a longer contact time and dry with a soft cloth.
- Light damage to the wood may be repaired by light sanding with a 220 grit sandpaper.
- Heavier damage may initially require the use of coarser grit sandpaper.
- On completion of the sanding, when a smooth finish is achieved, the sanded area should be free from dust and dry before being treated with Ultra Worksurface Sealant as described earlier.
- If this still fails please contact us for further advice and assistance.

## Other Spillages

- All spills should be cleaned up immediately.
- Where necessary follow the repair procedures detailed above.

## Damage Prevention

To keep your Wood Worktop in the best possible condition, the following points should be observed.

**Warning:** NEVER place hot pans, dishes or utensils directly on the worksurface (or into an empty sink). Hot items may mark or damage the surface.

- Always use a heat protection pad or trivet (with rubber feet) for hot cookware, or leave cookware to cool on the hob first.
- Try to leave pans, dishes, or utensils to cool before placing them in the sink. If you must put a hot pan into the sink, always place a damp sponge or cloth underneath, or put a few inches of cool water in the sink before the pan.
- Avoid pouring boiling liquids directly into sinks without also turning on the cold tap.

## Hob Safety

The Installation & Maintenance Kit contains a heat reflective tape, which the installer should apply around the hob cutout in the worksurface, before fitting the hob. This will prevent any damage to the worksurface. However, extra care should be taken when using the hob. Please follow both the appliance manufacturer's instructions and the advice below:

- An overhanging pan can scorch the surrounding worksurface.
- Always use the correct size of pan for the burner and ensure that it is placed centrally.
- Do not use two burners as one (e.g. for a large griddle).
- Take extra care when using a large frying pan or wok.

## Scratches

Though wood is very hardwearing and durable, care should always be taken to protect the surface wherever possible.

**Warning:** DO NOT cut or chop directly on the worksurface. Always use a chopping board.

# Technical Information & Tips

## Technical Information:

- Apollo® Wood is crafted from solid timber staves finger jointed in length.
  - Worksurfaces can expand as much as 1mm/mtr; ensure there is adequate expansion clearance when fitting. Always allow a minimum expansion gap of at least 3mm where worktops are captive between two walls.
  - Overhangs over 300mm require additional support.
  - Worktops should be supported every 600mm.
  - Joins in worktops should fall on a carcass end not in the middle; this gives added support to a joint.
  - Ensure joints do not fall on or within 100mm of cutouts.
  - Ensure cutouts are at least 50mm from worktop edge.
  - Allow a minimum of 200mm between hob (hot) cutouts.
  - Hob flange must always sit on aluminium thermal insulation tape around the cutout to protect the worksurface from heat.
  - Always fit aluminium foil membrane to the underside of the worksurface above heat producing appliances (e.g. dishwasher or cooker).
  - Worktops should be stored horizontally on a level support.
  - Remember that wood is affected by cold, heat and humidity, so must be stored in a cool and dry area at room temperature.
  - Worktops should be installed within 7 days of delivery.
  - Plastering and tiling should be completed after installation.
  - Always use chopping boards, never cut directly on to the surface.
  - Sanding a damaged area and re-sealing it can conveniently repair almost any scratch, cut mark, watermark, food stain or similar damage.
  - Hot pans should always be placed on pan rests/trivets.
  - The natural variation in colour and growth patterns makes every timber in a wooden worksurface unique. It is these natural features which give wood its aesthetic appeal; individual staves will have different depths of colour and random pattern distribution. This may lead to variation in the aesthetic appearance of the worktop.
  - Worktops will, inevitably, dry out even after oiling correctly; check periodically to see if the worktop starts to look tired or dry. A simple test can be used. Put a few drops of water on the worktop in a high use area, such as around a sink, and let the water stand for 15 minutes. The water should bead up. If it doesn't, it's time to re-oil.

## Notes:

---

---

---

---

---

---

---

---

---

---

---

---

---

---

---

---

---

---

---

---

---

---